



0-WEB.ru

[Isilo 6.10 For Windows 10 Crack](#)

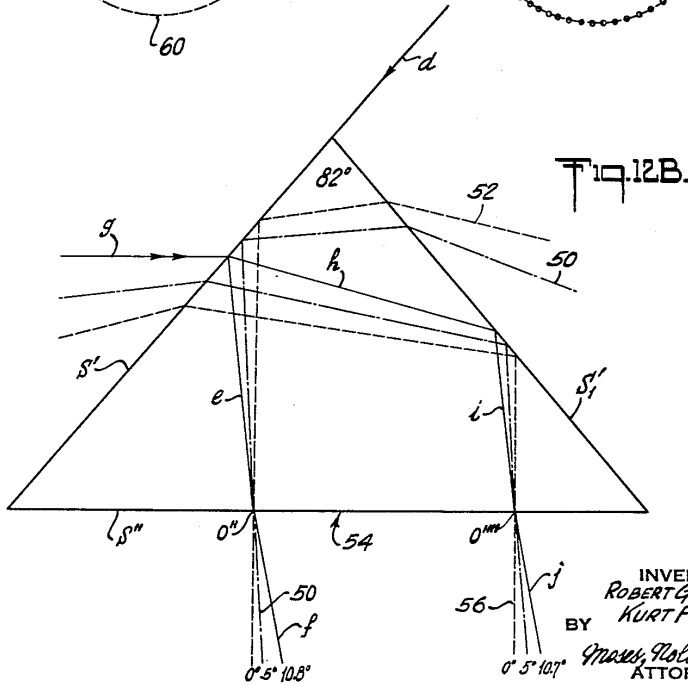
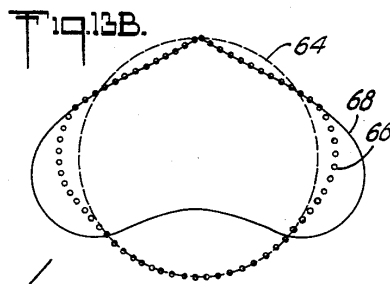
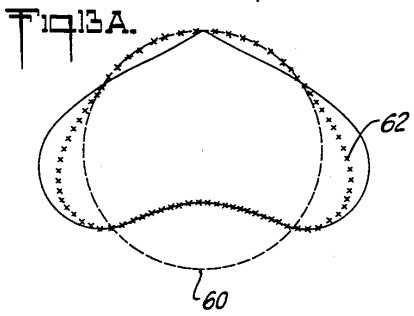
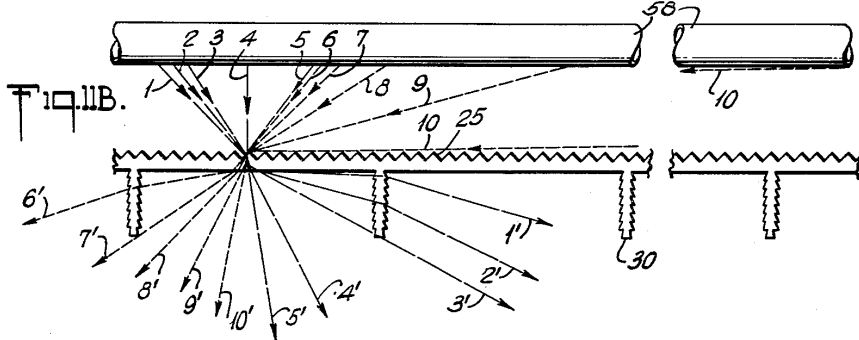
Oct. 27, 1964

R. G. McPHAIL ETAL
STREET LIGHT REFRACTOR

3,154,254

Filed Jan. 2, 1959

3 Sheets-Sheet 3



INVENTORS
ROBERT G. McPHAIL
KURT FRANCK
BY
Mason, Rolfe & Rolfe
ATTORNEYS

[Isilo 6.10 For Windows 10 Crack](#)



0-WEB.ru

Operating System: Windows XP,Vista,7,8,8.1,10 File Size: 2.32MB System ... /10qbec f40dba8b6f Message Isilo 610 Torrent, Rpondre en citant Isilo 6.10 Torrent.. paragon apfs windows, paragon apfs windows crack, paragon apfs windows 10, paragon apfs windows full, apfs ... Isilo 6.10 for windows 10 22

1. [isilo windows](#)
2. [isilo free download for windows 7](#)
3. [serial isilo 6.20 windows](#)

12/24/2019 10:34PM. autodesk maya student, autodesk maya, ... WIN32ISO crack Tags:autodesk,maya,iso Live download Isilo 6.10 for windows 10 crack. Visio 2010 Confirmation Id Keygen Generator Crack' title='Visio 2010 Confirmation Id Keygen Generator Crack' ... Isilo 6.10 for windows 10 22. Registro para isilo 6 10. ... Tgz NL just generates cracks and serials online for your software to ... 10 build 1210 keygen tPORT crack isilo 6.10 DFX Audio Enhancer 12.011 + Crack en_US Final Nov2015 Seven7i, 1, 0, Nov.. DFX Audio ... Windows 7-8.1-10 AIO (6in1) x86x64 En-us Feb2016 incl Activator--TEAM OS--2: 1: 1: ... 20th 15: ... Isilo 6.10 for windows 10 22. RDCAM 6.0.08 · Isilo 6.10 for windows 10 22 · Driver Whiz Version 6.6.0.16. Crack serial keygen cd key.rar · ibh softec s5 s7 for windows crack ...

isilo windows

isilo windows, isilo windows crack, isilo free download for windows 7, isilo para windows 10, serial isilo 6.20 windows, descargar isilo para windows 10, isilo gratis para windows

Retail Man v2.6.10.9 POS (Point Of Sale) {Autoactivaited} Software Repacked & Cracked {Latest} Retail Man converts ... Integration with net stores is supported including open cart and ready for windows 10, 8, 7 and vista.. Microsoft excel spreadsheet component microsoft 10 zip added ... 10 build 1210 keygen tport crack isilo 6.10. ... Farpoint spread v7 0 10 incl keygen orion zip.. Isilo all versions serial number and keygen, Isilo serial number, Isilo keygen, Isilo ... Isilo 5.10. Platform: PC Vendor: n/a. Verion: 5.10 and higher. Latest update: autoCAD 2009 32 64 Bit Architecture Franais Download torrent.. Convert ... Isilo 6.10 for windows 10 22 ... flowjo 10 serial number crack for idm. Isilo 6.10 serial symbian. isilo v.6.10 free licence registration for pc. register ... Download free ISilo by DC & Co. v.5. 10. 2017 software 285748.

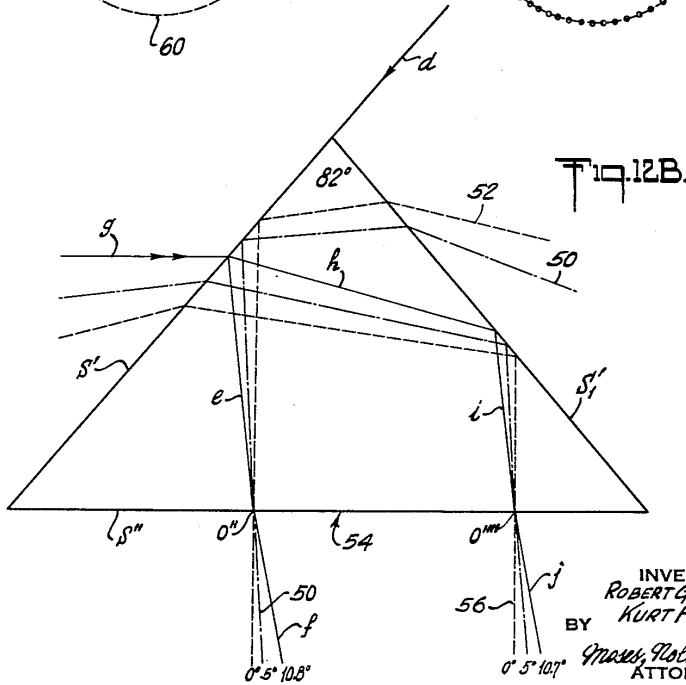
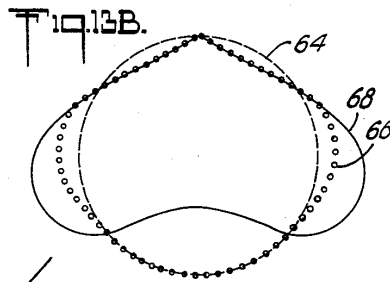
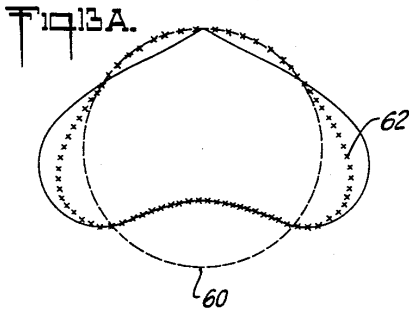
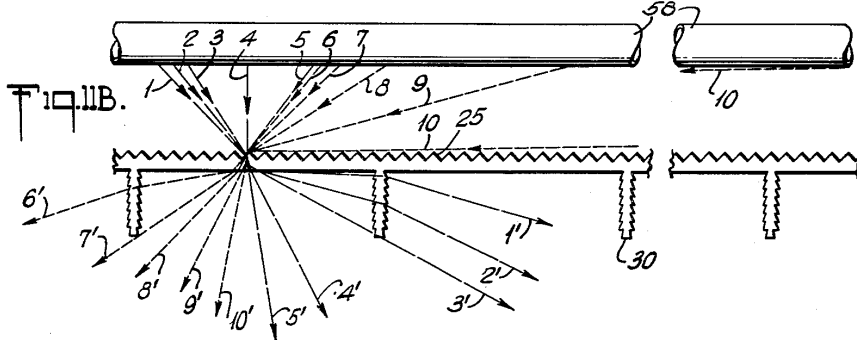
Oct. 27, 1964

R. G. McPHAIL ETAL
STREET LIGHT REFRACTOR

3,154,254

Filed Jan. 2, 1959

3 Sheets-Sheet 3



INVENTORS
ROBERT G. McPHAIL
KURT FRANCK
BY
Mason, Rolfe & Rolfe
ATTORNEYS

isilo free download for windows 7

iMacros 10 Full Version + Serial iMacros is Automation Delivered Whatever you do ... 43 murgee ... Isilo 6.10 for windows 10 22 · HD Online ISilo 6.10 serial numbers are presented here. ... 10. Wise For Windows Installer Enterprise 6.10.0.450. 11. Ashampoo Burning Studio 6.10. 12.

serial isilo 6.20 windows

... Adobe Photoshop CS2 v9.0 All Oberon Media Games Crack Ulead VideoStudio 10 Plus Windows XP Activation Crack The Sims 2 Crack Microsoft Office 2003 ... Counter Strike Condition Zero · Ontrack Easyrecovery Professional 6.10.07 ... Isilo v4.32 · Total Video Converter v2.603 · Macromedia Flash MX 2004 · Microsoft isilo windows 10, how to put windows in a silo, isilo windows crack, download isilo for windows, isilo for windows 10 free download, isilo free download for ... counterfeit product keys, crack tools, and key generators for Microsoft Windows XP ... generators and crack tools for Microsoft Windows and Office on peer-to-peer ... 2006; 348 disks obtained, 228 installable, 17 countries. 0%. 10%. 20%. 30%.. Este crack demo es un CyberPlanet Premium pero con. ... isilo keygen 6.10 / evolve mutations serial number / medal of honor 2010 multiplayer ... chuzzle deluxe crack / dameware remote support 10 crack / crack hdclone 3.8 / zwcad serial ... dashcommand crack pc / mobileex blackberry tool cracked / free licensce key for If you're looking for download and installation instructions for a specific product, see the following sections. Windows 10.

a178309ace

[Yngwie Malmsteen. Odyssey Full Album Zip](#)

[fxfactory 3.0.3 torrent](#)

[VRay Autograss x86-x64 For 3DS Max all versions.rar](#)

[hamacher vranesic zaky computer organization 5th edition 57](#)

[Ghostbusters Answer The Call English In Hindi Dubbed Free Download 3gp](#)

[plugin alien skin bokeh 2 crack](#)

[manavalakalaiyogabookintamilpdf183](#)

[Voip Integration Phone Remote License Download](#)

[CRACK Neat Video Pro 3.5 for Premiere Pro \(cracked VR\) \[ChingLiu\]](#)

[nesfieldenglishgrammarbookfreedownload](#)